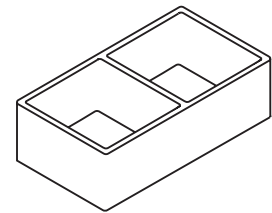
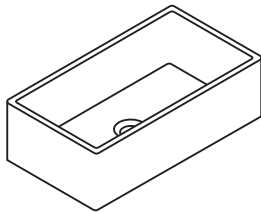


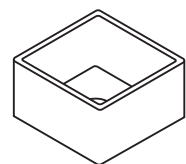
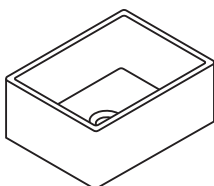
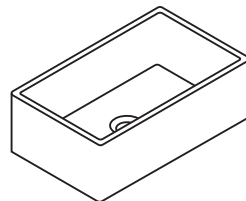
VELANSO

Installation Guide



Farmhouse Installation

Models: F8036, F8233, F8133,
F8033, F8030, F8024, F8017



Installation Guide for Velanso Farmhouse Sinks

Ensuring Durability and Elegance

Installing a Velanso farmhouse sink is a straightforward process that brings both elegance and functionality to your kitchen. To guarantee a seamless and successful installation, follow this comprehensive guide.

Preparing For Installation

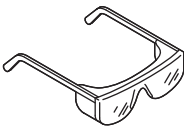
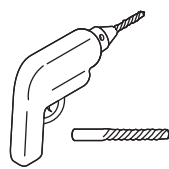

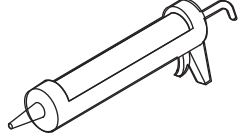



Caution: Handle with care, as the sink is very heavy and could cause damage or injury if mishandled. It is strongly recommended to get the help of professionals or additional assistance for both installation and transportation.

- Check your Velanso sink upon delivery for any transit damage. Please note that Velanso is not liable for damages that occur during installation.
- Obeying to local building and plumbing codes is a must. Ensure your installation site—whether in the kitchen or bathroom is prepared, keeping in mind the unique requirements of farmhouse sinks.
- When determining the appropriate cabinet size for your sink, add at least 3 inches to the length of your sink. For example, if your sink measures 30 inches, you'll need a minimum 33-inch cabinet. Similarly, for a 33-inch sink, a minimum 36-inch cabinet is required.
- Ensure that the support of the sink is capable of bearing a minimum load of 150 kg (330 lbs) to guarantee lasting durability and prevent any potential structural complications or failures.

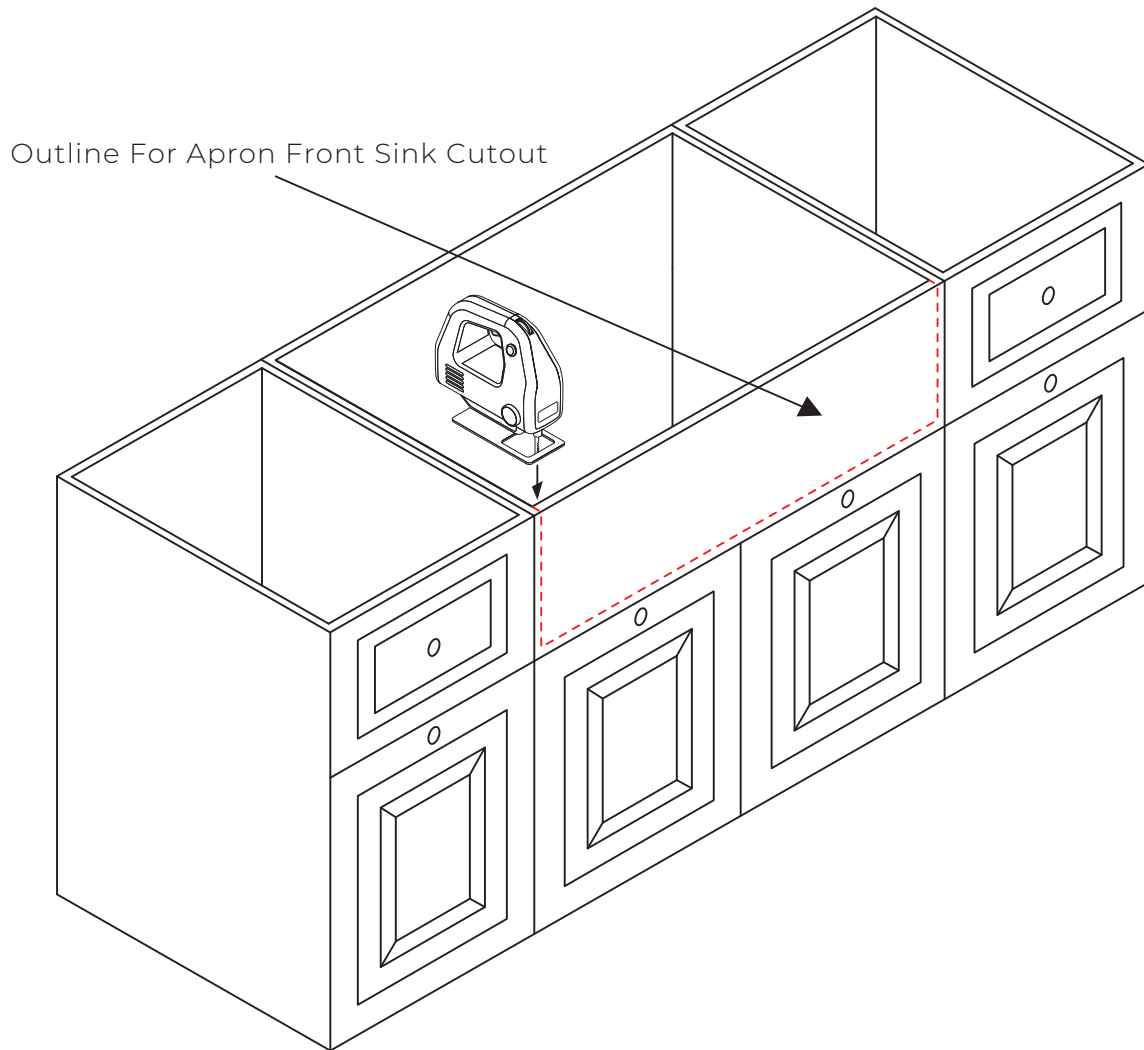
NOTE: Kindly be aware that a cutout template is not included with our fireclay sinks. Due to the manufacturing process of these sinks means that there can be slight variations in size ($\pm 2\%$). To ensure a precise fit, we suggest using the sink itself to measure and trace any needed cutouts in your countertop or cabinetry.

Suggested Equipment and Materials

 Safety Goggles	 Drill	 Silicone Sealant	 Construction Adhesive	 Phillips Screwdriver
---	--	---	--	--

 Tape Measure	 Pencil	 Jig Saw	 Level	 Screwdriver
---	---	--	---	--

- Screws
- Support Framing Materials
- Shims or Cabinet Fillers (If Necessary)



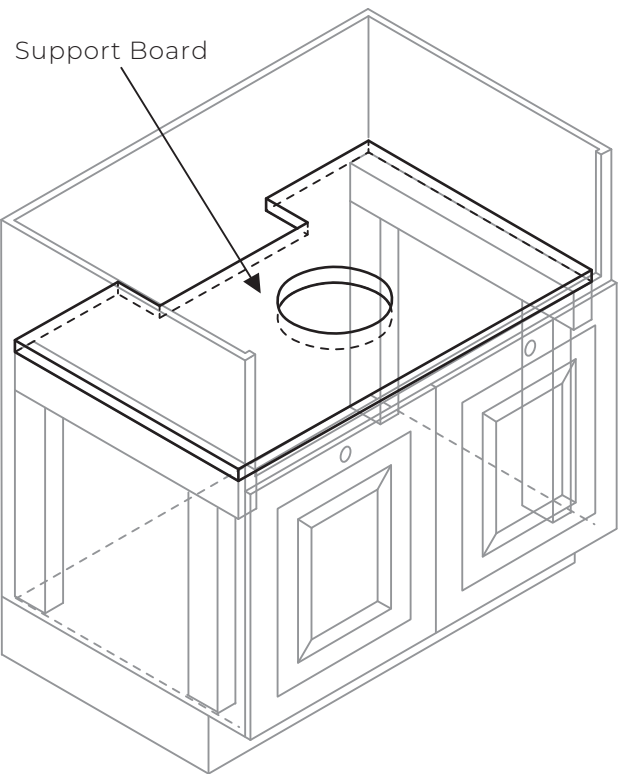
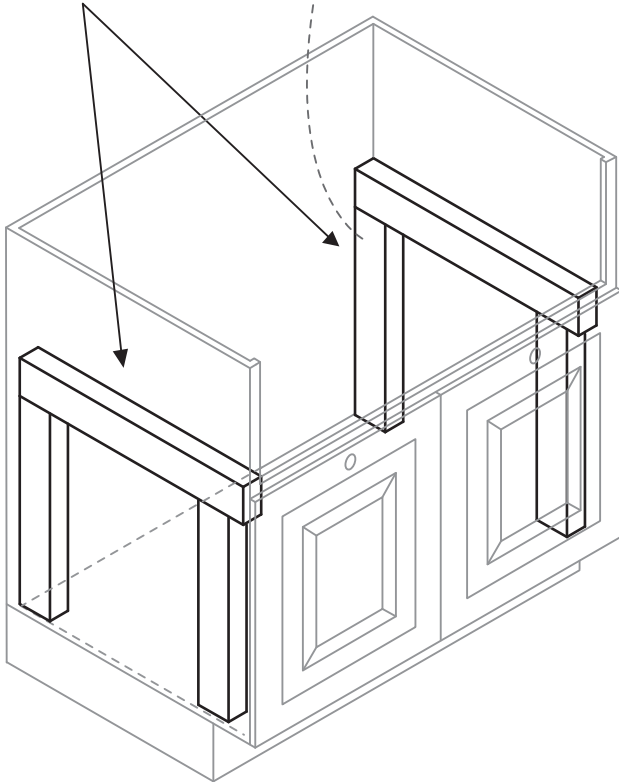
Step 1. Cutting Cabinet Front



Caution: Use proper safety precautions while cutting, including safety glasses, gloves, and other safety equipment.

- **Important:** Do not start cutting without taking measurements of the sink yourself. The sink size may vary by up to $\pm 2\%$ due to the manufacturing process of these sinks.
Note: Use an appropriate saw that matches the material and characteristics of your cabinet.
- Measure the dimensions of the sink, remember to account for the front apron, and outline it with accurate measurements to ensure a perfect fit.
- Carefully trace the outline onto a masking tape to protect the cabinet and surrounding fixtures from getting damaged.

Supports / Vertical Supports are Optional



Step 2. Build Cabinet Supports



Caution: Use proper safety precautions while cutting or installing, including safety glasses, gloves, and other safety equipment.

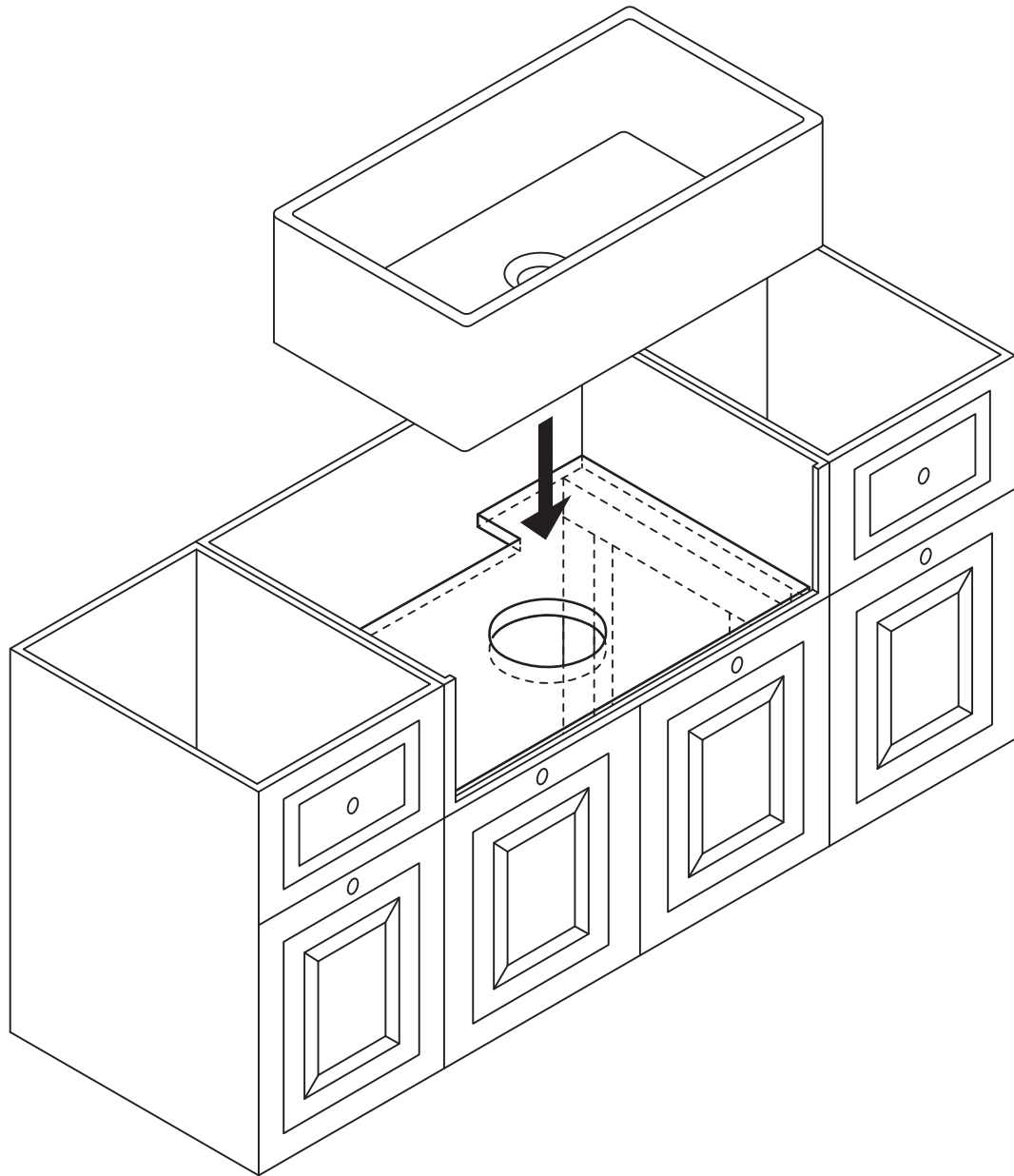
- **Important:** Ensure that the support of the sink is capable of bearing a minimum load of 150 kg (330 lbs) to guarantee lasting durability and prevent any potential structural complications or failures.

Note: For optimal stability and durability, we highly recommend using 2" by 4" lumber for both the vertical and horizontal supports of the sink.

- Construct both the vertical and horizontal supports so the sink and the rim of the cabinet are level, also keep in mind the necessary space for the support board, which is crucial if you plan to use them into the installation.
- Securely screw the supports in place to ensure durability, and test their ability to hold weight while ensuring they aren't rattling or moving.

Recommended: Support Board

- When making cutouts, it's crucial to consider the front reveal of the sink, and we recommend not exceeding a reveal of 1.25" (32 mm).
- Create cutouts for the water supply and faucet system, as well as a larger space for the hole in the middle if a garbage disposal is being installed, ensure precise alignment with the sink's specifications for a secure and perfect fit.

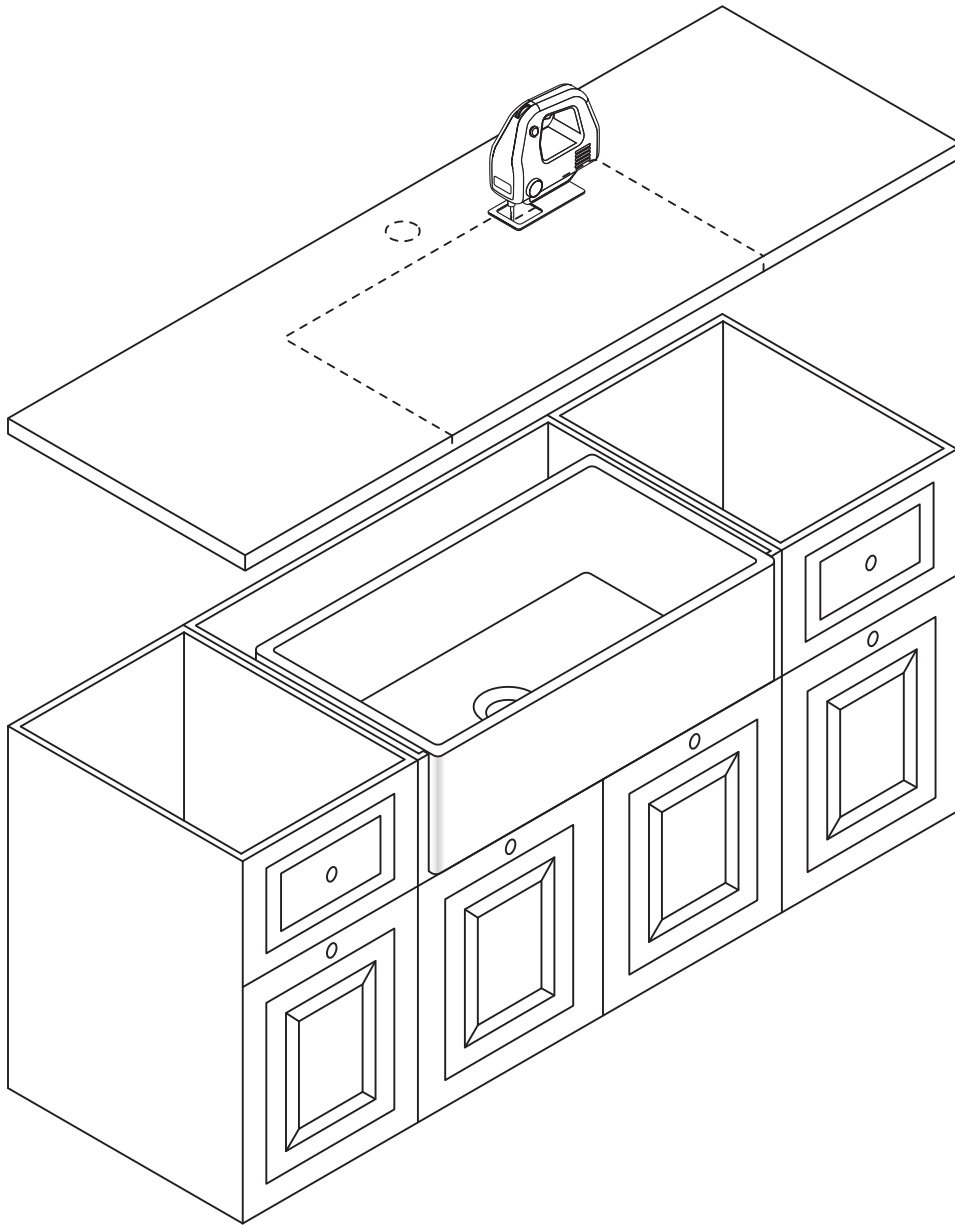


Step 3. Mounting The Sink



Handle with care, as the sink is very heavy and could cause damage or injury if mishandled. Ensure a minimum of two people are carrying the sink when transporting.

- Carefully lift the sink up with two people and adjust it until you have the front reveal that you want we recommended not exceeding 1.25" (32 mm).
- Level the sink and ensure the supports are properly holding the sink in place. Use shims and cabinet fillers if adjustments are needed to achieve proper leveling and stability.



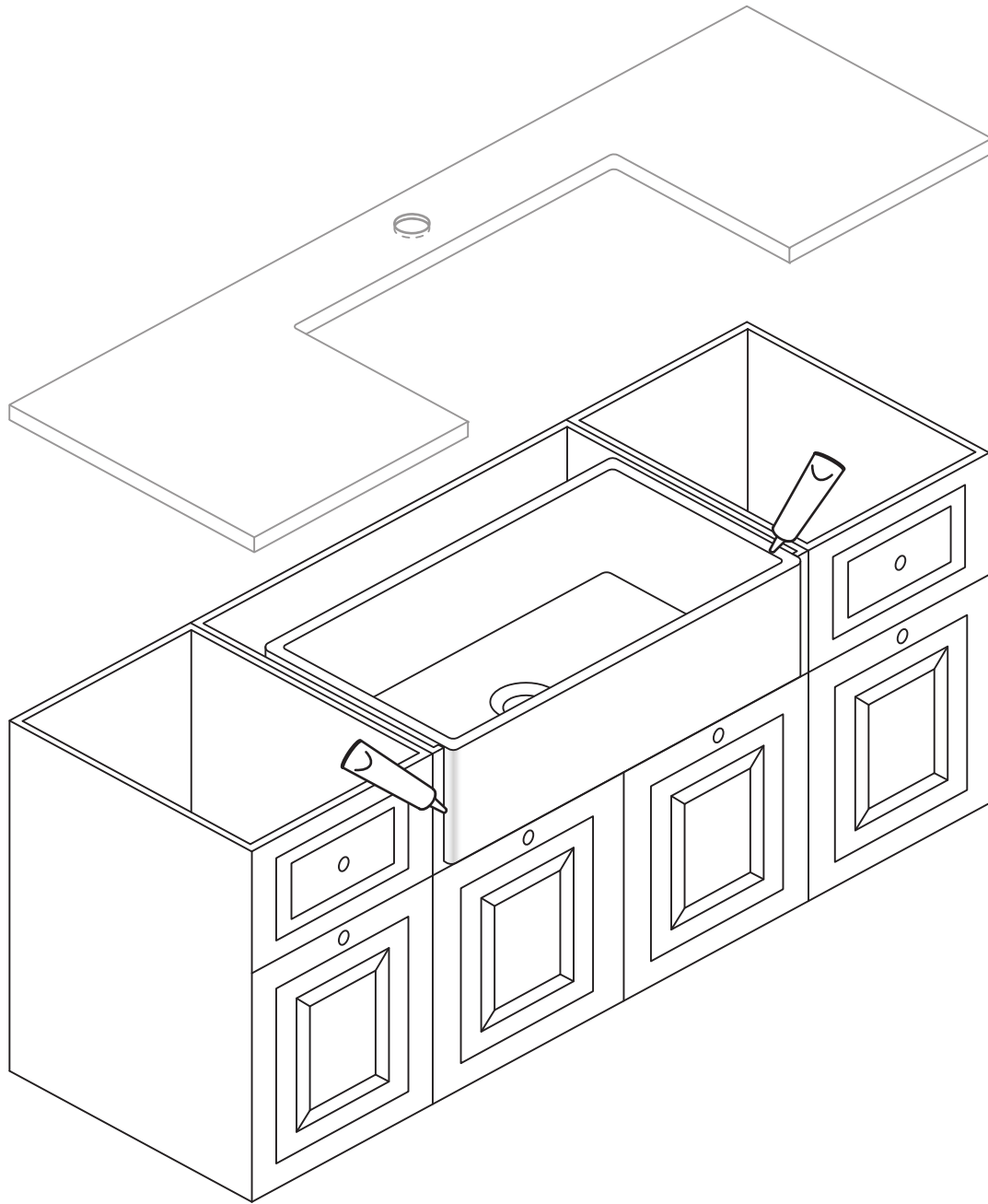
Step 4. Cut Countertop

 Use proper safety precautions while cutting, including safety glasses, gloves, and other safety equipment.

■ **Important:** Before beginning any cutting, ensure you take accurate measurements of the sink. Please note that a cutout template is not provided with our fireclay sinks. Due to the manufacturing process of these sinks means that there can be slight variations in size ($\pm 2\%$).

Note: Use an appropriate saw that matches the material and characteristics of your countertop.

■ Make sure the sink is mounted before making any cuts with the countertop. It's crucial to make the cut according the sink's positioning. We strongly advise against cutting the countertop before installing the sink.

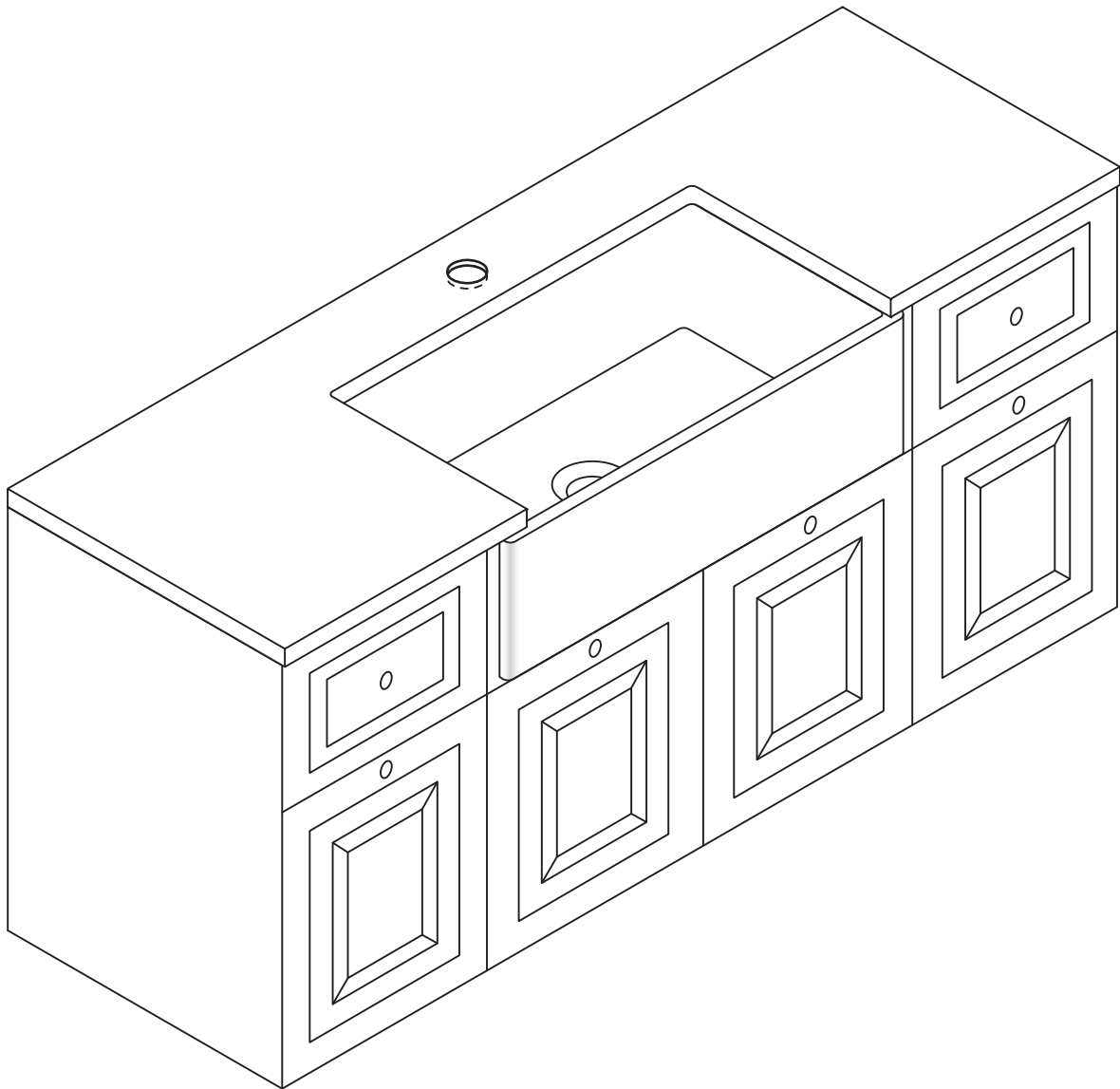


Step 5. Install The Countertop



Use proper safety precautions during the installation, including safety glasses, gloves, and other safety equipment.

- Apply silicone sealant or your preferred adhesive to the areas where the countertop will make contact, ensuring a watertight seal. Clean off any excess sealant for a neat finish.
- Remember to add silicone sealant to the crevices, sides, and bottom of the sink where it touches the cabinet.



Step 6. Complete Installation

- Install your faucet, along with any other accessories and the drain strainer. Follow the manufacturer's instructions to connect the water supply and drainage system. After installation, thoroughly test for any water leakages.